

Product Datasheet



PLX Electronic Autocollimator – ACT-25FO

ACT-25FO Autofocusing Electronic Autocollimator

A unique feature of the ACT-25FO is that it comes with a built-in motorized focusing knob, controlled via the software package which is supplied with each unit. This allows focusing on objects along the optical axis of the Autocollimator with LOS deviations smaller than 2.5 seconds. Using the software, you can go to infinity focus and use the system in conventional autocollimator mode.



PLX Autocollimator

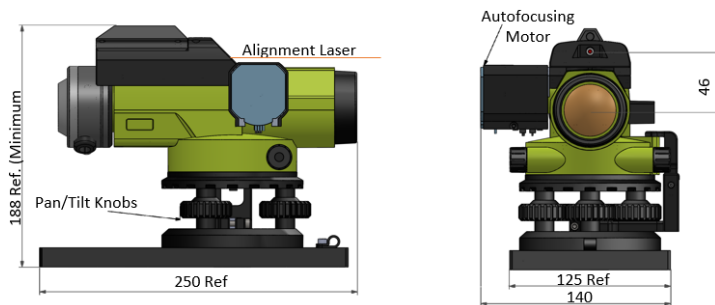
ACT-25B Electronic Autocollimator

ACT-25FO Autofocusing Electronic Autocollimator

ACT-HR High-Resolution Electronic Autocollimator

ACT-WF Wide-Field Electronic Autocollimator

ACT-25FO Autofocusing Autocollimator



ACT-25FO:

- 25-minute horizontal measurement range as an autocollimator.
- 50-mins horizontal field of view as a telescope.
- 0.01 arc-second resolution.
- Exceptional focusing range: 17.5 cm to infinity.
- Built-in laser for coarse alignment.
- Long-lasting LED light source.

Software

All PLX autocollimators come with software, and the software automatically displays angle deviation and can give the relative position of multiple targets.

Data logging is supported and can be configured to record for a predetermined time or a fixed number of data points. The recording interval can also be set. The data can be saved to a file or streamed to a remote location via RS-232 or TCP/IP. The communication setting for both RS-232 and TCP/IP is fully configurable from the software.

Product Datasheet

PLX Electronic Autocollimator – ACT-25FO



ACT-25FO Specifications

Specification	Value
Gain Control	4x
Shutter Speed	9 μ sec to 16 msec
FoV Autocollimator	$\pm 25'$ (H) x $\pm 20'$ (V)
FoV Telescope	$\pm 50'$ (H) x $\pm 40'$ (V)
Clear Aperture	36 mm
Resolution	0.01 sec
Accuracy	1.0 sec
Camera (Wide Spectral Range)	1.3 Mega Pixels, 10 bit
Light Source	LED- 650, optional: 1060.
Retroreflector for alignment	$\varnothing 64$ mm, N.W 280 g Thread $\varnothing 16$ mm, < 5"
Line of Sight Retention as Function of Focusing	better than +/- 2.5 seconds
Min. Focusing Distance	Less than 17.5 cm
Built in coarse aiming Laser Pointer	638 nm power <1.0 mW Class 2 laser product, IEC60825-1
Synchronization	•Software •Hardware (external trigger signal)
Interface	USB 3.0
Exposure Control	Programmable via GUI
Housing Size (L x W x H) in mm	250 x 140 x 190
Power Requirements	~3.5 Watt (Via USB 3.0 interface)
Weight (typical)	3.2 kg including cable