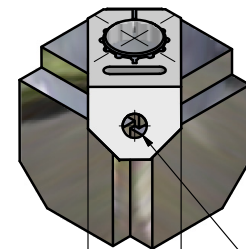
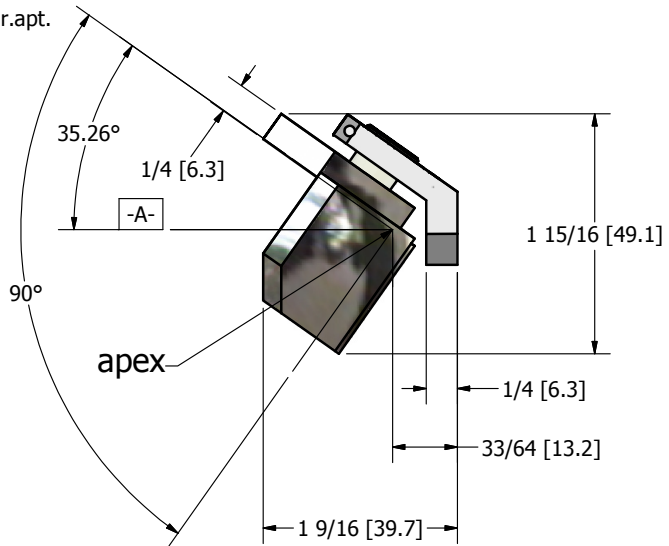


Ø1 1/2 [38.1]clr.aprt.



Thread #1/4-20NC - 2B thru
(M6 is available upon request)

3/4 [19.0]

UNLESS OTHERWISE SPECIFIED
DIMENSIONS ARE IN INCHES
TOLERANCES ARE:
FRACTIONS DECIMALS ANGLES
± 1/16" ± .005" ± .1°
± .001" ± .001" ± .1°
± .005" ± .010"

PLX
40 WEST JEFRYN BLVD.
DEER PARK, NY 11729

Ø1.5" clear aperture
Ultra Stable Hard-Mounted Hollow Retroreflector

USHM-15